



# SA110R-XXAS

10W/12W Switching Adapter

## Input

Rated Voltage	100 - 240 VAC
Max. Voltage	90 - 264 VAC
Line Frequency	47 - 63 Hz
Current	300mA at 100-240VAC
Configuration	SAA - 2PIN

## Output

Model Name	Voltage	Current	Watt	Efficiency
SA110R-05AS	5V	2A	10W	75%
SA110R-09AS	9V	1.3A	11.7W	80%
SA110R-12AS	12V	1A	12W	80%

Line Regulation	Less than $\pm 2\%$
Load Regulation	Less than $\pm 5\%$
Protections	OCP, OVP & Short circuit
Ripple & Noise	100mVp-p, (for 5V,9V,12Vmodel)

## Environment

Operating Temp.	0 - 40
Storage Temp.	-20 - 80
Humidity	10% - 90% (Non-condensing)
RoHS & WEEE	Standard

## Reliability

MTBF	50,000 hrs (by MIL-217 Standard)
Safety	ITE: Meet SAA

## Others

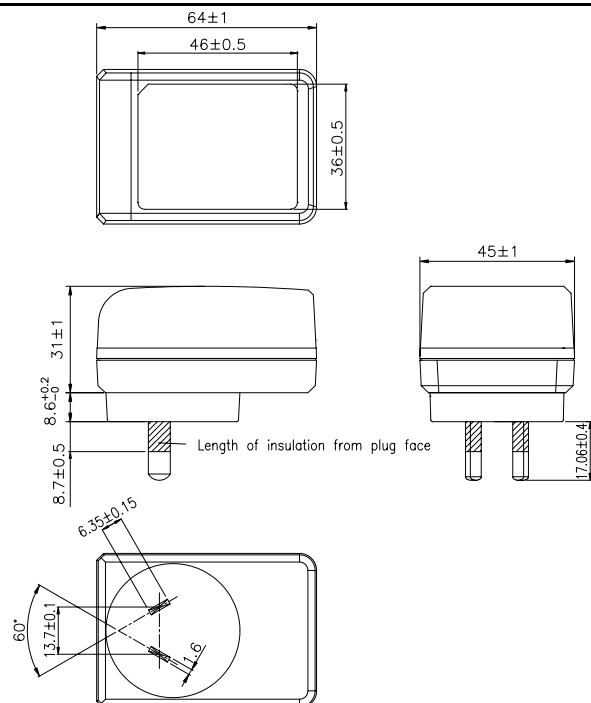
Package	100 pcs/box
Min. Order	1K pcs/lot
Warranty	1 year

## Electrical

Topology	Switching Mode
Hi-Pot	3000 Vac/1sec @ 5mA (primary - secondary)
Leakage Current	0.25mA, at 264VAC/50Hz
Hold Up Time	8 mSec
Standby Power	0.075 Watt
EMI	Complies with EMI directives
CEC Requirement	Efficiency Level : VI

## Mechanical

Case Size	64L x 45W x 31H mm
Case Material	Black, 94V-1 or equivalent
Weight	100, $\pm 10$ g
DC Cord	4.92ft



For reference only. For details please contact your local sales representative



# SA110R-XXBS

10W/12W Switching Adapter

## Input

Rated Voltage	100 - 240 VAC
Max. Voltage	90 - 264 VAC
Line Frequency	47 - 63 Hz
Current	300mA at 100-240VAC
Configuration	British - 2PIN

## Output

Model Name	Voltage	Current	Watt	Efficiency
SA110R-05BS	5V	2A	10W	75%
SA110R-09BS	9V	1.3A	11.7W	80%
SA110R-12BS	12V	1A	12W	80%

Line Regulation	Less than $\pm 2\%$
Load Regulation	Less than $\pm 5\%$
Protections	OCP, OVP & Short circuit
Ripple & Noise	$\leq 100\text{mVp-p}$ , (For 5V, 9V, 12V models)

## Environment

Operating Temp.	0°C - 40°C
Storage Temp.	-20°C - 80°C
Humidity	10% - 90% (Non-condensing)
RoHS & WEEE	Standard

## Reliability

MTBF	50,000 hrs (by MIL-217 Standard)
Safety	ITE: CE, CB

## Others

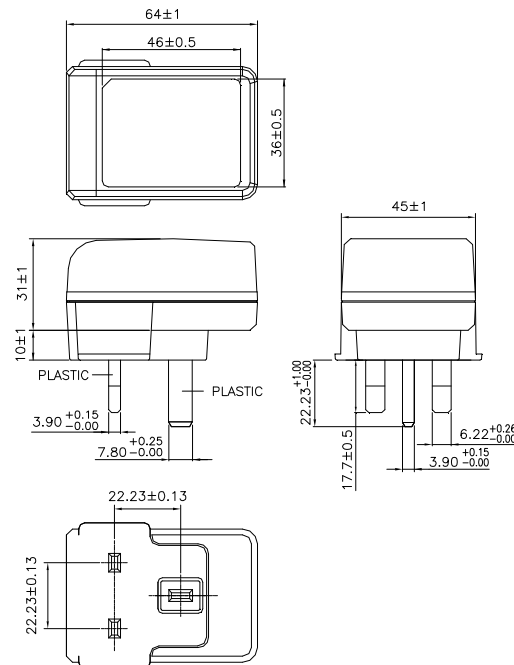
Package	100 pcs/box
Min. Order	1K pcs/lot
Warranty	1 year

## Electrical

Topology	Switching Mode
Hi-Pot	3000 Vac/1sec @ 5mA (primary - secondary)
Leakage Current	$\leq 0.25\text{mA}$ , at 264VAC/50Hz
Hold Up Time	$\geq 8\text{ mSec}$
Standby Power	$\leq 0.075\text{ Watt}$
EMI	Complies with EMI directives
product complies with EU (Efficiency Level Tier 2 - 2016)	

## Mechanical

Case Size	64L x 45W x 31H mm
Case Material	Black, 94V-1 or equivalent
Weight	105, $\pm 10\text{ g}$
DC Cord	4.92ft



For reference only. For details please contact your local sales representative



# SA110R-XXGS

10W/12W Switching Adapter

## Input

Rated Voltage	100 - 240 VAC
Max. Voltage	90 - 264 VAC
Line Frequency	47 - 63 Hz
Current	300mA at 100-240VAC
Configuration	Europe - 2PIN

## Output

Model Name	Voltage	Current	Watt	Efficiency
SA110R-05GS	5V	2A	10W	75%
SA110R-09GS	9V	1.3A	11.7W	80%
SA110R-12GS	12V	1A	12W	80%

Line Regulation	Less than $\pm 2\%$
Load Regulation	Less than $\pm 5\%$
Protections	OCP, OVP & Short circuit
Ripple & Noise	$\leq 100\text{mVp-p}$ , (For 5V, 9V, 12V model)

## Environment

Operating Temp.	0°C - 40°C
Storage Temp.	-20°C - 80°C
Humidity	10% - 90% (Non-condensing)
RoHS & WEEE	Standard

## Reliability

MTBF	50,000 hrs (by MIL-217 Standard)
Safety	ITE: TUV/GS, CE, CB

## Others

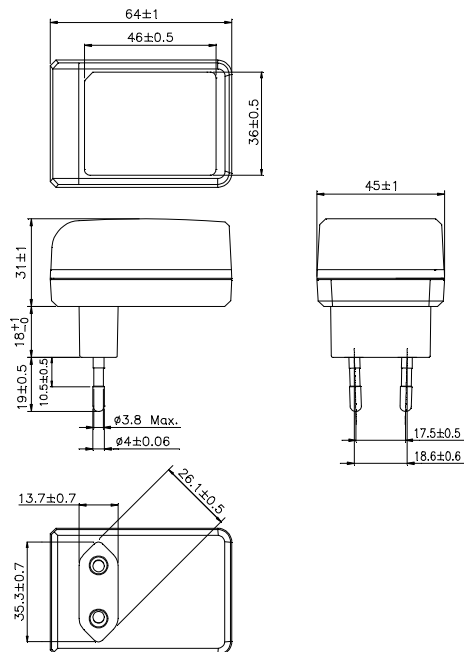
Package	100 pcs/box
Min. Order	1K pcs/lot
Warranty	1 year

## Electrical

Topology	Switching Mode
Hi-Pot	3000 Vac/1sec @ 5mA (primary - secondary)
Leakage Current	$\leq 0.25\text{mA}$ , at 264VAC/50Hz
Hold Up Time	$\geq 8$ mSec
Standby Power	$\leq 0.075$ Watt
EMI	Complies with EMI directives product complies with EU (Efficiency Level Tier 2 - 2016)

## Mechanical

Case Size	64L x 45W x 31H mm
Case Material	Black, 94V-1 or equivalent
Weight	100, $\pm 10$ g
DC Cord	4.92ft



For reference only. For details please contact your local sales representative



# SA110R-XXS

## 10W/12W Switching Adapter

### Input

Rated Voltage	100 - 240 VAC
Max. Voltage	90 - 264 VAC
Line Frequency	47 - 63 Hz
Current	300mA at 100-240VAC
Configuration	UL - 2PIN

### Output

Model Name	Voltage	Current	Watt	Efficiency
SA110R-05S	5V	2A	10W	75%
SA110R-09S	9V	1.3A	11.7W	80%
SA110R-12S	12V	1A	12W	80%

Line Regulation	Less than $\pm 2\%$
Load Regulation	Less than $\pm 5\%$
Protections	OCP, OVP & Short circuit
Ripple & Noise	$\leq 100\text{mVp-p}$ , (for 5V,9V,12Vmodel)

### Environment

Operating Temp.	0°C - 40°C
Storage Temp.	-20°C - 80°C
Humidity	10% - 90% (Non-condensing)
RoHS & WEEE	Standard

### Reliability

MTBF	50,000 hrs (by MIL-217 Standard)
Safety	ITE: UL, cUL

### Others

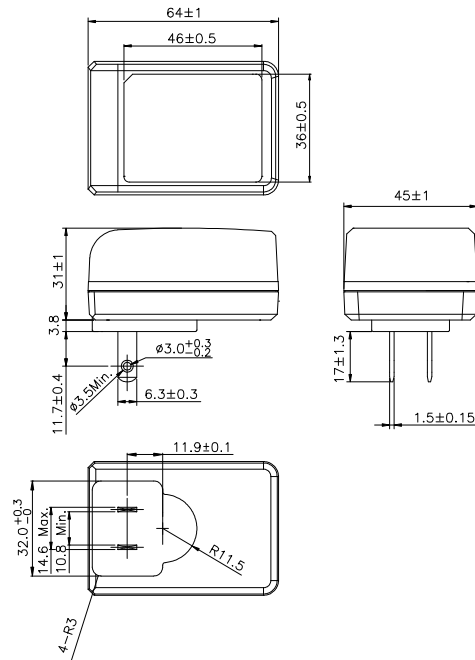
Package	100 pcs/box
Min. Order	1K pcs/lot
Warranty	1 year

### Electrical

Topology	Switching Mode
Hi-Pot	3000 Vac/1sec @ 5mA (primary - secondary)
Leakage Current	$\leq 0.25\text{mA}$ , at 264VAC/50Hz
Hold Up Time	$\geq 8\text{ mSec}$
Standby Power	$\leq 0.075\text{ Watt}$
EMI	Complies with EMI directives
CEC Requirement	Efficiency Level : VI

### Mechanical

Case Size	64L x 45W x 31H mm
Case Material	Black, 94V-1 or equivalent
Weight	100, $\pm 10\text{ g}$
DC Cord	4.92ft



For reference only. For details please contact your local sales representative



# SA110S-XX

## 10W/12W Switching Adapter

### Input

Rated Voltage	100 - 240 VAC
Max. Voltage	90 - 264 VAC
Line Frequency	47 - 63 Hz
Current	300mA at 100-240VAC
Configuration	Interchangeable

### Output

Model Name	Voltage	Current	Watt	Efficiency
SA110S-05	5V	2A	10W	75%
SA110S-09	9V	1.3A	11.7W	80%
SA110S-12	12V	1A	12W	80%

Line Regulation	Less than $\pm 2\%$
Load Regulation	Less than $\pm 5\%$
Protections	OCP, OVP & Short circuit
Ripple & Noise	$\leq 100\text{mVp-p}$ ,

### Environment

Operating Temp.	0°C - 40°C
Storage Temp.	-20°C - 80°C
Humidity	10% - 90% (Non-condensing)
RoHS & WEEE	Standard

### Reliability

MTBF	50,000 hrs (by MIL-217 Standard)
Safety	ITE: UL,cUL,TUV/GS,CE,CB

### Others

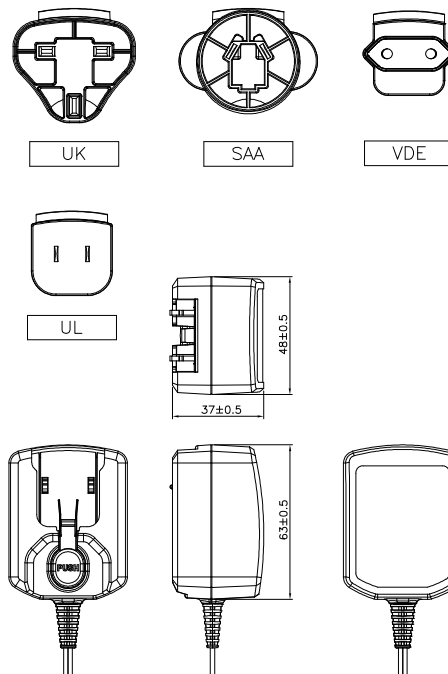
Package	100 pcs/box
Min. Order	1K pcs/lot
Warranty	1 year

### Electrical

Topology	Switching Mode
Hi-Pot	3000 Vac/1sec @ 5mA (primary - secondary)
Leakage Current	$\leq 0.25\text{mA}$ , at 264VAC/50Hz
Hold Up Time	$\geq 8\text{ mSec}$
Standby Power	$\leq 0.075\text{ Watt}$
EMI	Complies with EMI directives
product complies with EU (Efficiency Level Tier 2 - 2016)	
CEC Requirement	Efficiency Level: VI

### Mechanical

Case Size	63L x 48W x 37H mm
Case Material	Black, 94V-1 or equivalent
Weight (ref.)	100, $\pm 10\text{ g}$
DC Cord	4.92ft



For reference only. For details please contact your local sales representative