



SA115K-XX

15W Switching Adapter

Input

Rated Voltage	100 - 240 VAC
Max. Voltage	90 - 264 VAC
Line Frequency	47 - 63 Hz
Current	400mA at 100-240VAC
Configuration	UL - 2PIN

Output

Model Name	Voltage	Current	Watt	Efficiency
SA115K-05	5V	3.0A	15W	80%
SA115K-09	9V	1.7A	15.3W	82%
SA115K-12	12V	1.3A	15.6W	84%
SA115K-15	15V	1.0A	15W	84%

Remark	Efficiency means at full load condition
Line Regulation	Less than $\pm 2\%$
Load Regulation	Less than $\pm 5\%$
Protections	OCP, OVP & Short circuit
Ripple & Noise	$\leq 150\text{mVp-p}$, (Standard) $\leq 100\text{mVp-p}$, (Please contact Us)

Environment

Operating Temp.	0°C - 40°C
Storage Temp.	-20°C - 80°C
Operating Humidity	10% - 90% (Non-condensing)
RoHS & WEEE	Standard

Reliability

MTBF	50,000 hrs (by MIL-217 Standard)
Safety	Meet IEC/EN 60950

Others

Package	80 pcs/box
Min. Order	1K pcs/lot
Warranty	1 year

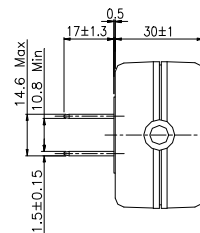
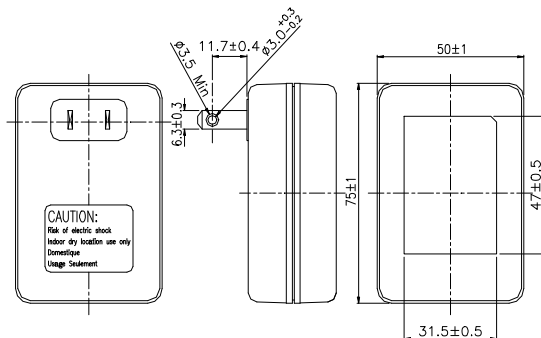
For reference only. For details please contact your local sales representative.

Electrical

Topology	Switching Mode
Hi-Pot	3000 Vac/1sec @ 5mA (primary - secondary)
Leakage Current	$\leq 0.25\text{mA}$, at 264VAC/60Hz
Hold Up Time	$\geq 6\text{mSec}$
Standby Power	$\leq 0.075\text{ Watt}$
EMI	Complies with EMI directives
EU Requirement	Efficiency Level: Tier 2- 2016
CEC Requirement	Efficiency Level: VI

Mechanical

Case Size	75L x 50W x 30H mm
Case Material	Black, 94V-1 or equivalent
Weight	150 \pm 10 g ref. (base on 5V)
DC Cord	4.92ft





SA115K-XXB

15W Switching Adapter

Input

Rated Voltage	100 - 240 VAC
Max. Voltage	90 - 264 VAC
Line Frequency	47 - 63 Hz
Current	400mA at 100-240VAC
Configuration	British - 2PIN

Output

Model Name	Voltage	Current	Watt	Efficiency
SA115K-05B	5V	3.0A	15W	80%
SA115K-09B	9V	1.7A	15.3W	82%
SA115K-12B	12V	1.3A	15.6W	84%
SA115K-15B	15V	1.0A	15W	84%

Remark	Efficiency means at full load condition
Line Regulation	Less than $\pm 2\%$
Load Regulation	Less than $\pm 5\%$
Protections	OCP, OVP & Short circuit
Ripple & Noise	$\leq 150\text{mVp-p}$, (Standard) $\leq 100\text{mVp-p}$, (Please contact Us)

Environment

Operating Temp.	0°C - 40°C
Storage Temp.	-20°C - 80°C
Operating Humidity	10% - 90% (Non-condensing)
RoHS & WEEE	Standard

Reliability

MTBF	50,000 hrs (by MIL-217 Standard)
Safety	Meet IEC/EN 60950

Others

Package	80 pcs/box
Min. Order	1K pcs/lot
Warranty	1 year

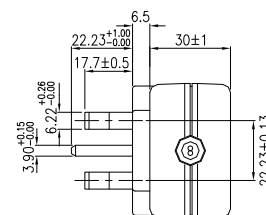
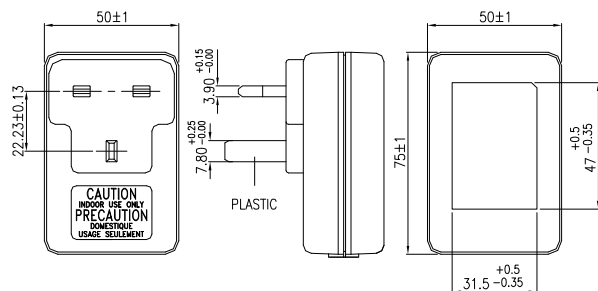
For reference only. For details please contact your local sales representative.

Electrical

Topology	Switching Mode
Hi-Pot	3000 Vac/1sec @ 5mA (primary - secondary)
Leakage Current	$\leq 0.25\text{mA}$, at 264VAC/60Hz
Hold Up Time	$\geq 6\text{mSec}$
Standby Power	$\leq 0.075\text{ Watt}$
EMI	Complies with EMI directives
EU Requirement	Efficiency Level: Tier 2- 2016
CEC Requirement	Efficiency Level: VI

Mechanical

Case Size	75L x 50W x 30H mm
Case Material	Black, 94V-1 or equivalent
Weight	150 ± 10 g ref. (base on 5V)
DC Cord	4.92ft





SA115K-XXG

15W Switching Adapter

Input

Rated Voltage	100 - 240 VAC
Max. Voltage	90 - 264 VAC
Line Frequency	47 - 63 Hz
Current	400mA at 100-240VAC
Configuration	Europe - 2PIN

Output

Model Name	Voltage	Current	Watt	Efficiency
SA115K-05G	5V	3.0A	15W	80%
SA115K-09G	9V	1.7A	15.3W	82%
SA115K-12G	12V	1.3A	15.6W	84%
SA115K-15G	15V	1.0A	15W	84%

Remark	Efficiency means at full load condition
Line Regulation	Less than $\pm 2\%$
Load Regulation	Less than $\pm 5\%$
Protections	OCP, OVP & Short circuit
Ripple & Noise	$\leq 150\text{mVp-p}$, (Standard) $\leq 100\text{mVp-p}$, (Please contact Us)

Environment

Operating Temp.	0°C - 40°C
Storage Temp.	-20°C - 80°C
Operating Humidity	10% - 90% (Non-condensing)
RoHS & WEEE	Standard

Reliability

MTBF	50,000 hrs (by MIL-217 Standard)
Safety	Meet IEC/EN 60950

Others

Package	80 pcs/box
Min. Order	1K pcs/lot
Warranty	1 year

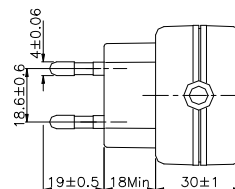
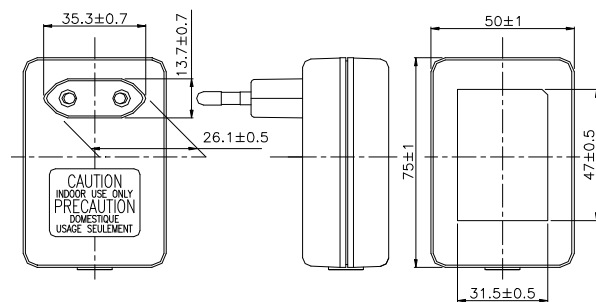
For reference only. For details please contact your local sales representative.

Electrical

Topology	Switching Mode
Hi-Pot	3000 Vac/1sec @ 5mA (primary - secondary)
Leakage Current	$\leq 0.25\text{mA}$, at 264VAC/60Hz
Hold Up Time	$\geq 6\text{mSec}$
Standby Power	$\leq 0.075\text{ Watt}$
EMI	Complies with EMI directives
EU Requirement	Efficiency Level: Tier 2- 2016
CEC Requirement	Efficiency Level: VI

Mechanical

Case Size	75L x 50W x 30H mm
Case Material	Black, 94V-1 or equivalent
Weight	150 ± 10 g ref. (base on 5V)
DC Cord	4.92ft





SA115K-XXU

15W Switching Adapter

Input

Rated Voltage	100 - 240 VAC
Max. Voltage	90 - 264 VAC
Line Frequency	47 - 63 Hz
Current	400mA at 100-240VAC
Configuration	IEC-320, C8, 2PIN

Output

Model Name	Voltage	Current	Watt	Efficiency
SA115K-05U	5V	3.0A	15W	80%
SA115K-09U	9V	1.7A	15.3W	82%
SA115K-12U	12V	1.3A	15.6W	84%
SA115K-15U	15V	1.0A	15W	84%

Remark	Efficiency means at full load condition
Line Regulation	Less than $\pm 2\%$
Load Regulation	Less than $\pm 5\%$
Protections	OCP, OVP & Short circuit
Ripple & Noise	$\leq 150\text{mVp-p}$, (Standard) $\leq 100\text{mVp-p}$, (Please contact Us)

Environment

Operating Temp.	0°C - 40°C
Storage Temp.	-20°C - 80°C
Operating Humidity	10% - 90% (Non-condensing)
RoHS & WEEE	Standard

Reliability

MTBF	50,000 hrs (by MIL-217 Standard)
Safety	Meet IEC/EN 60950

Others

Package	80 pcs/box
Min. Order	1K pcs/lot
Warranty	1 year

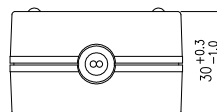
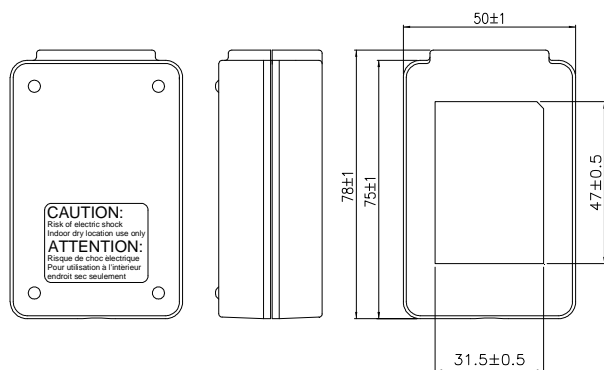
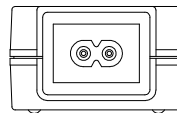
For reference only. For details please contact your local sales representative.

Electrical

Topology	Switching Mode
Hi-Pot	3000 Vac/1sec @ 5mA (primary - secondary)
Leakage Current	$\leq 0.25\text{mA}$, at 264VAC/60Hz
Hold Up Time	$\geq 6\text{mSec}$
Standby Power	$\leq 0.075\text{ Watt}$
EMI	Complies with EMI directives
EU Requirement	Efficiency Level: Tier 2- 2016
CEC Requirement	Efficiency Level: VI

Mechanical

Case Size	78L x 50W x 30H mm
Case Material	Black, 94V-1 or equivalent
Weight	150 ± 10 g ref. (base on 5V)
DC Cord	4.92ft





SA115K-XXV

15W Switching Adapter

Input

Rated Voltage	100 - 240 VAC
Max. Voltage	90 - 264 VAC
Line Frequency	47 - 63 Hz
Current	400mA at 100-240VAC
Configuration	IEC-320, C14, 3PIN

Output

Model Name	Voltage	Current	Watt	Efficiency
SA115K-05V	5V	3.0A	15W	80%
SA115K-09V	9V	1.7A	15.3W	82%
SA115K-12V	12V	1.3A	15.6W	84%
SA115K-15V	15V	1.0A	15W	84%

Remark	Efficiency means at full load condition
Line Regulation	Less than $\pm 2\%$
Load Regulation	Less than $\pm 5\%$
Protections	OCP, OVP & Short circuit
Ripple & Noise	$\leq 150\text{mVp-p}$, (Standard) $\leq 100\text{mVp-p}$, (Please contact Us)

Environment

Operating Temp.	0°C - 40°C
Storage Temp.	-20°C - 80°C
Operating Humidity	10% - 90% (Non-condensing)
RoHS & WEEE	Standard

Reliability

MTBF	50,000 hrs (by MIL-217 Standard)
Safety	Meet IEC/EN 60950

Others

Package	80 pcs/box
Min. Order	1K pcs/lot
Warranty	1 year

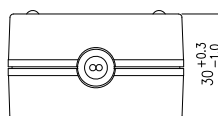
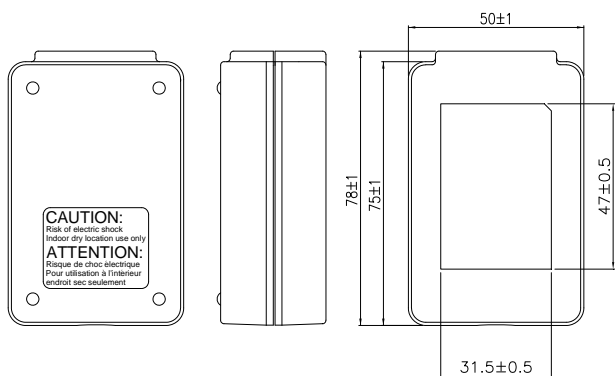
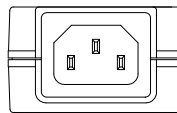
For reference only. For details please contact your local sales representative.

Electrical

Topology	Switching Mode
Hi-Pot	3000 Vac/1sec @ 5mA (primary - secondary)
Leakage Current	$\leq 0.25\text{mA}$, at 264VAC/60Hz
Hold Up Time	$\geq 6\text{mSec}$
Standby Power	$\leq 0.075\text{ Watt}$
EMI	Complies with EMI directives
EU Requirement	Efficiency Level: Tier 2- 2016
CEC Requirement	Efficiency Level: VI

Mechanical

Case Size	78L x 50W x 30H mm
Case Material	Black, 94V-1 or equivalent
Weight	155 ± 10 g ref. (base on 5V)
DC Cord	4.92ft





SA115L-XX

15W Switching Adapter with Exchangeable AC Plug

Input

Rated Voltage	100 - 240 VAC
Max. Voltage	90 - 264 VAC
Line Frequency	47 - 63 Hz
Current	400mA at 100-240VAC
Configuration	Interchangeable

Output

Model Name	Voltage	Current	Watt	Efficiency
SA115L-05	5V	3.0A	15W	77%
SA115L-12	12V	1.3A	15.6W	82%

Remark	Efficiency means at full load condition
Line Regulation	Less than $\pm 2\%$
Load Regulation	Less than $\pm 5\%$ ($\pm 10\%$ Only 3V)
Protections	OCP, OVP & Short circuit
Ripple & Noise	$\leq 150\text{mVp-p}$, (Standard) $\leq 100\text{mVp-p}$, (Please contact Us)

Environment

Operating Temp.	0°C - 40°C
Storage Temp.	-20°C - 80°C
Operating Humidity	10% - 90% (Non-condensing)
RoHS & WEEE	Standard

Reliability

MTBF	50,000 hrs (by MIL-217 Standard)
Safety safety	ITE: Meet cUL, TUV/GS, CB, CE

Others

Package	80 pcs/box
Min. Order	1K pcs/lot
Warranty	1 year

For reference only. For details please contact your local sales representative.

Electrical

Topology	Switching Mode
Hi-Pot	3000 Vac/1sec @ 5mA (primary - secondary)
Leakage Current	$\leq 0.25\text{mA}$, at 240VAC/50Hz
Hold Up Time	$\geq 6\text{mSec}$
Standby Power	≤ 0.075 Watt
EMI	Complies with EMI directives
EU Requirement	Efficiency Level: Tier 2- 2016
CEC Requirement	Efficiency Level: DOE VI

Mechanical

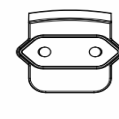
Case Size	77L x 48W x 41H mm
Case Material	Black, 94V-1 or equivalent
Weight	108 \pm 10 g ref. (base on 12V)
DC Cord	4.92ft



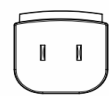
UK



SAA



VDE



UL

