



# SA130D-XXU

## 30W Switching Adapter

### Input

Rated Voltage	100 - 240 VAC
Max. Voltage	90 - 264 VAC
Line Frequency	47 - 63 Hz
Current	1000mA, at 100-240VAC
Configuration	IEC-320, C8, 2PIN

### Output

Model Name	Voltage	Current	Watt	Efficiency
SA130D-12U	12V	2.5A	30W	82%
SA130D-15U	15V	2A	30W	82%
SA130D-24U	24V	1.25A	30W	85%
SA130D-27U	27V	1.1A	29.7W	85%

Average Efficiency As per CEC Guideline

Line Regulation Less than  $\pm 2\%$

Load Regulation Less than  $\pm 5\%$

Protections OCP, OVP & Short circuit

Ripple Voltage 150mVp-p, (for 12V)

180mVp-p, (for 15V)

240mVp-p, (for 24V)

270mVp-p, (for 27V)

### Environment

Operating Temp. 0 - 40

Storage Temp. -20 - 80

Operating Humidity 20% - 80% (Non-condensing)

### Reliability

MTBF 50,000 hrs (by MIL-217 Standard)

Safety Meet IEC/EN 60950

### Others

Package 60 pcs/box

Min. Order 1K pcs/lot

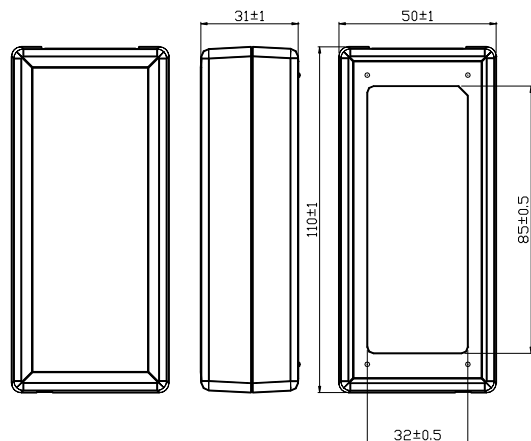
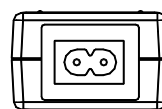
Warranty 1 year

### Electrical

Topology	Switching Mode
Hi-Pot	3000 Vac/1sec @ 5mA (primary - secondary)
Leakage Current	0.25mA, at 264VAC/60Hz
Hold Up Time	8 mSec.
Standby Power	0.075 Watt
EMI	Complies with EMI directives
EU Requirement	Efficiency Level: Tier 2- 2016
CEC Requirement	Efficiency Level :VI

### Mechanical

Case Size	110L x 50W x 31H mm
Case Material	Black, 94V-1 or equivalent
Weight	185g $\pm 10$ g
DC Cord	4.92ft



For reference only. For details please contact your local sales representative



# SA130D-XXV

## 30W Switching Adapter

### Input

Rated Voltage	100 - 240 VAC
Max. Voltage	90 - 264 VAC
Line Frequency	47 - 63 Hz
Current	1000mA, at 100-240VAC
Configuration	IEC-320, C14, 3PIN

### Output

Model Name	Voltage	Current	Watt	Efficiency
SA130D-12V	12V	2.5A	30W	82%
SA130D-15V	15V	2A	30W	82%
SA130D-24V	24V	1.25A	30W	85%
SA130D-27V	27V	1.1A	29.7W	85%

Average Efficiency As per CEC Guideline

Line Regulation Less than  $\pm 2\%$

Load Regulation Less than  $\pm 5\%$

Protections OCP, OVP & Short circuit

Ripple Voltage 150mVp-p, (for 12V)

180mVp-p, (for 15V)

240mVp-p, (for 24V)

270mVp-p, (for 27V)

### Environment

Operating Temp. 0 - 40

Storage Temp. -20 - 80

Operating Humidity 20% - 80% (Non-condensing)

### Reliability

MTBF 50,000 hrs (by MIL-217 Standard)

Safety Meet IEC/EN 60950

### Others

Package 60 pcs/box

Min. Order 1K pcs/lot

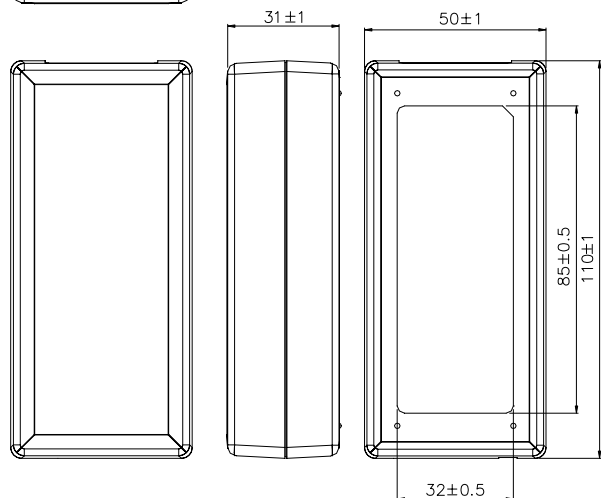
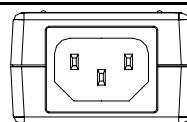
Warranty 1 year

### Electrical

Topology	Switching Mode
Hi-Pot	1800 Vac/1sec @ 5mA (primary - secondary)
Leakage Current	3.5mA, at 264VAC/60Hz
Hold Up Time	8 mSec.
Standby Power	0.075 Watt
EMI	Complies with EMI directives
EU Requirement	Efficiency Level: Tier 2- 2016
CEC Requirement	Efficiency Level :VI

### Mechanical

Case Size	110L x 50W x 31H mm
Case Material	Black, 94V-1 or equivalent
Weight	185g $\pm 10$ g
DC Cord	4.92ft



For reference only. For details please contact your local sales representative