



SA103N-XX

3W Switching Adapter

Input

Rated Voltage	100 - 240 VAC
Max. Voltage	90 - 264 VAC
Line Frequency	47 - 63 Hz
Current	100mA at 100-240VAC
Configuration	UL-2PIN

Output

Model Name	Voltage	Current	Watt	Efficiency
SA103N-05	5V	0.6A	3W	68%
SA103N-09	9V	0.34A	3.06W	70%
SA103N-12	12V	0.25A	3W	70%

Line Regulation	Less than $\pm 2\%$
Load Regulation	Less than $\pm 7\%$
Protections	OCP, OVP & SCP
Ripple & Noise	$\leq 150\text{mVp-p}$

Electrical

Topology	Switching Mode
Hi-Pot	3000 Vac/1sec @ 5mA (primary - secondary)
Leakage Current	$\leq 0.25\text{mA}$, at 264VAC/50Hz
Hold Up Time	$\geq 8\text{ mSec}$
Standby Power	$\leq 0.075\text{ Watt}$
EMI	Complies with EMI directives
EU Requirement	Efficiency Level: Tier 2- 2016
CEC Requirement	Efficiency Level: VI

Mechanical

Case Size	52L x 37W x 27H mm
Case Material	Black, 94V-1 or equivalent
Weight	60 ± 5 g
DC Cord	4.92ft

Environment

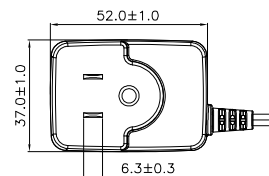
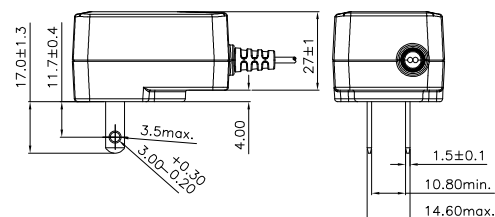
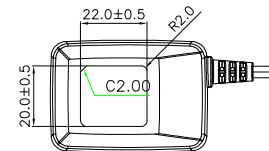
Operating Temp.	0°C - 40°C
Storage Temp.	-20°C - 80°C
Humidity	10% - 90% (Non-condensing)
RoHS & WEEE	Standard

Reliability

MTBF	50,000 hrs (by MIL-217 Standard)
Safety	ITE: UL, cUL

Others

Package	100 pcs/box
Min. Order	1K pcs/lot
Warranty	1 year



For reference only. For details please contact your local sales representative



SA103N-XXA

3W Switching Adapter

Input

Rated Voltage	100 - 240 VAC
Max. Voltage	90 - 264 VAC
Line Frequency	47 - 63 Hz
Current	100mA at 100-240VAC
Configuration	Australia -2PIN

Output

Model Name	Voltage	Current	Watt	Efficiency
SA103N-05A	5V	0.6A	3W	68%
SA103N-09A	9V	0.34A	3.06W	70%
SA103N-12A	12V	0.25A	3W	70%

Line Regulation	Less than $\pm 2\%$
Load Regulation	Less than $\pm 7\%$
Protections	OCP, OVP & SCP
Ripple & Noise	$\leq 150\text{mVp-p}$

Environment

Operating Temp.	0°C - 40°C
Storage Temp.	-20°C - 80°C
Humidity	10% - 90% (Non-condensing)
RoHS & WEEE	Standard

Reliability

MTBF	50,000 hrs (by MIL-217 Standard)
Safety	Meet IEC/EN 60950

Others

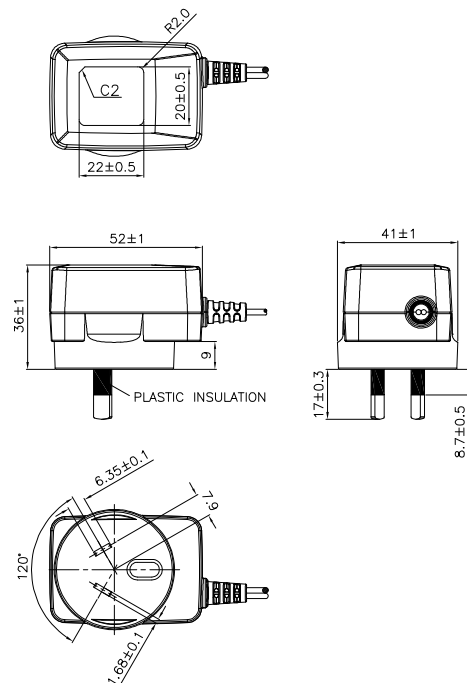
Package	100 pcs/box
Min. Order	1K pcs/lot
Warranty	1 year

Electrical

Topology	Switching Mode
Hi-Pot	3000 Vac/1sec @ 5mA (primary - secondary)
Leakage Current	$\leq 0.25\text{mA}$, at 264VAC/50Hz
Hold Up Time	$\geq 8\text{ mSec}$
Standby Power	$\leq 0.075\text{ Watt}$
EMI	Complies with EMI directives
EU Requirement	Efficiency Level: Tier 2- 2016
CEC Requirement	Efficiency Level: VI

Mechanical

Case Size	52L x 37W x 27H mm
Case Material	Black, 94V-1 or equivalent
Weight	60 \pm 5 g
DC Cord	4.92ft



For reference only. For details please contact your local sales representative



SA103N-XXB

3W Switching Adapter

Input

Rated Voltage	100 - 240 VAC
Max. Voltage	90 - 264 VAC
Line Frequency	47 - 63 Hz
Current	100mA at 100-240VAC
Configuration	British -2PIN

Output

Model Name	Voltage	Current	Watt	Efficiency
SA103N-05B	5V	0.6A	3W	68%
SA103N-09B	9V	0.34A	3.06W	70%
SA103N-12B	12V	0.25A	3W	70%

Line Regulation	Less than $\pm 2\%$
Load Regulation	Less than $\pm 7\%$
Protections	OCP, OVP & SCP
Ripple & Noise	$\leq 150\text{mVp-p}$

Electrical

Topology	Switching Mode
Hi-Pot	3000 Vac/1sec @ 5mA (primary - secondary)
Leakage Current	$\leq 0.25\text{mA}$, at 264VAC/50Hz
Hold Up Time	$\geq 8\text{mSec}$
Standby Power	$\leq 0.075\text{Watt}$
EMI	Complies with EMI directives
EU Requirement	Efficiency Level: Tier 2- 2016
CEC Requirement	Efficiency Level: VI

Mechanical

Case Size	52L x 37W x 27H mm
Case Material	Black, 94V-1 or equivalent
Weight	60 ± 5 g
DC Cord	4.92ft

Environment

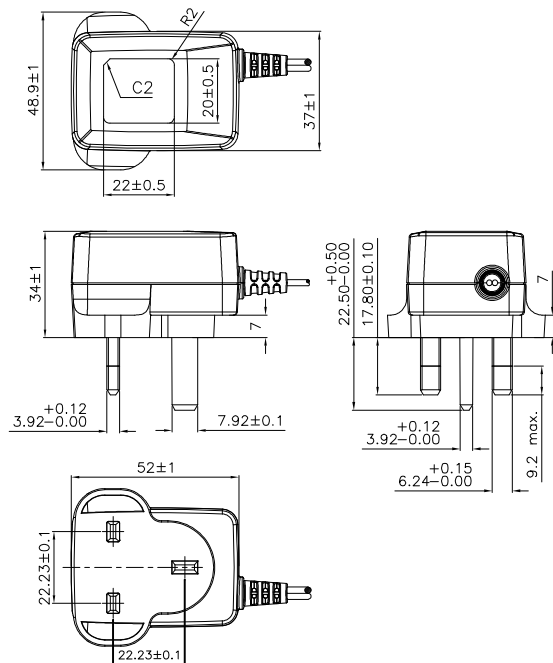
Operating Temp.	0°C - 40°C
Storage Temp.	-20°C - 80°C
Humidity	10% - 90% (Non-condensing)
RoHS & WEEE	Standard

Reliability

MTBF	50,000 hrs (by MIL-217 Standard)
Safety	ITE: CE, CB

Others

Package	100 pcs/box
Min. Order	1K pcs/lot
Warranty	1 year



For reference only. For details please contact your local sales representative



SA103N-XXG

3W Switching Adapter

Input

Rated Voltage	100 - 240 VAC
Max. Voltage	90 - 264 VAC
Line Frequency	47 - 63 Hz
Current	100mA at 100-240VAC
Configuration	Europe-2PIN

Output

Model Name	Voltage	Current	Watt	Efficiency
SA103N-05G	5V	0.6A	3W	68%
SA103N-09G	9V	0.34A	3.06W	70%
SA103N-12G	12V	0.25A	3W	70%

Line Regulation	Less than $\pm 2\%$
Load Regulation	Less than $\pm 7\%$
Protections	OCP, OVP & SCP
Ripple & Noise	$\leq 150\text{mVp-p}$

Electrical

Topology	Switching Mode
Hi-Pot	3000 Vac/1sec @ 5mA (primary - secondary)
Leakage Current	$\leq 0.25\text{mA}$, at 264VAC/50Hz
Hold Up Time	$\geq 8\text{ mSec}$
Standby Power	$\leq 0.075\text{ Watt}$
EMI	Complies with EMI directives
EU Requirement	Efficiency Level: Tier 2- 2016
CEC Requirement	Efficiency Level: VI

Mechanical

Case Size	52L x 37W x 27H mm
Case Material	Black, 94V-1 or equivalent
Weight	60 ± 5 g
DC Cord	4.92ft

Environment

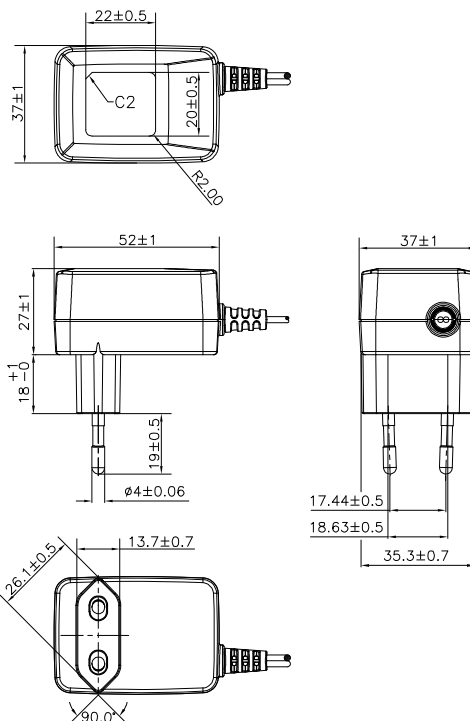
Operating Temp.	0°C - 40°C
Storage Temp.	-20°C - 80°C
Humidity	10% - 90% (Non-condensing)
RoHS & WEEE	Standard

Reliability

MTBF	50,000 hrs (by MIL-217 Standard)
Safety	ITE: TUV/GS, CE, CB

Others

Package	100 pcs/box
Min. Order	1K pcs/lot
Warranty	1 year



For reference only. For details please contact your local sales representative