



SA142D-XXU

42W Switching Adapter

Input

Rated Voltage	100 - 240 VAC
Max. Voltage	90 - 264 VAC
Line Frequency	47 - 63 Hz
Current	1500mA, at 100-240VAC
Configuration	IEC-320, C8, 2PIN

Output

Model Name	Voltage	Current	Watt	Efficiency
SA142D-09U	9V	3.3A	29.7W	85%
SA142D-12U	12V	3.5A	42W	85%
SA142D-24U	24V	2.1A	50.4W	85%

Average Efficiency As per CEC Guideline

Line Regulation	Less than $\pm 2\%$
Load Regulation	Less than $\pm 5\%$
Protections	OCP, OVP & Short circuit
Ripple Voltage	150mVp-p, (for 9V,12V) 240mVp-p, (for 24V)

Environment

Operating Temp.	0 - 40
Storage Temp.	-20 - 80
Operating Humidity	20% - 80% (Non-condensing)

Reliability

MTBF	50,000 hrs (by MIL-217 Standard)
Safety	Meet IEC/EN 60950

Others

Package	60 pcs/box
Min. Order	1K pcs/lot
Warranty	1 year

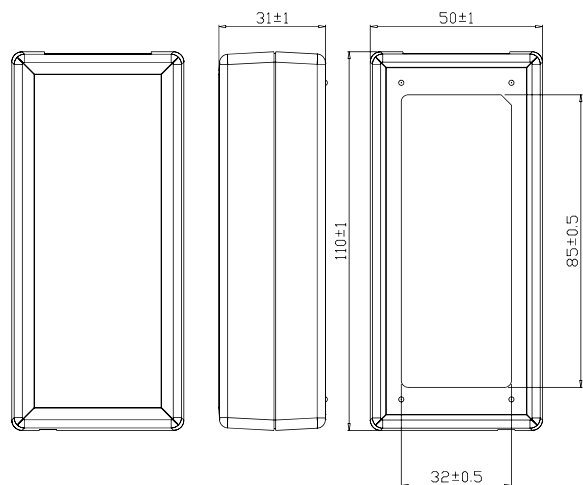
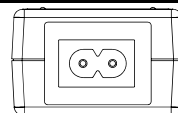
Electrical

Topology	Switching Mode
Hi-Pot	3000 Vac/1sec @ 5mA (primary - secondary)
Leakage Current	0.25mA, at 264VAC/60Hz
Hold Up Time	8 mSec.
Standby Power	0.075 Watt

EMI	Complies with EMI directives
EU Requirement	Efficiency Level: Tier 2- 2016
CEC Requirement	Efficiency Level :VI

Mechanical

Case Size	110L x 50W x 31H mm
Case Material	Black, 94V-1 or equivalent
Weight	190g ± 10 g
DC Cord	4.92ft



For reference only. For details please contact your local sales representative