



SA150G-XXU

50W Switching Adapter

Input

Rated Voltage	100 - 240 VAC
Max. Voltage	90 - 264 VAC
Line Frequency	47 - 63 Hz
Current	1500mA, at 100-240VAC
Configuration	IEC-320, C8, 2PIN

Output

Model Name	Voltage	Current	Watt	Eff. (Typ.)
SA150G-05U	5V	4A	20W	78%
SA150G-12U	12V	4A	48W	85%

Line Regulation	Less than $\pm 2\%$
Load Regulation	Less than $\pm 5\%$ (5V $\pm 7\%$)
Protections	OCP, OVP & Short circuit
Ripple Voltage	120mVp-p (For 5V model) 150mVp-p (For 12V model)

Environment

Operating Temp.	0 - 40
Storage Temp.	-20 - 80
Operating Humidity	20% - 80% (Non-condensing)
RoHS & WEEE	Standard

Reliability

MTBF	50,000 hrs (by MIL-217 Standard)
Safety	Meet IEC/EN 60950

Others

Package	60 pcs/box
Min. Order	1K pcs/lot
Warranty	1 year

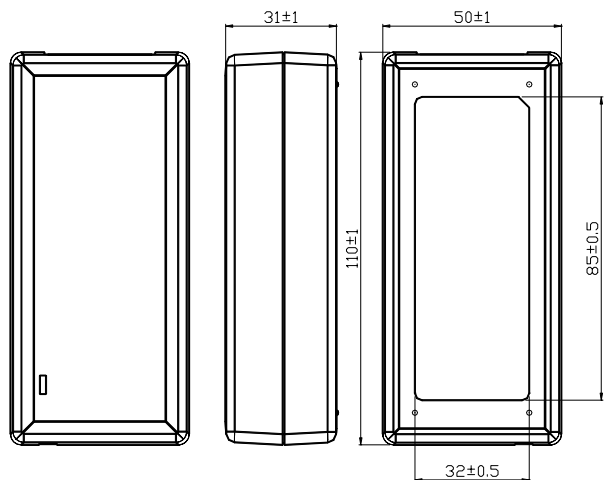
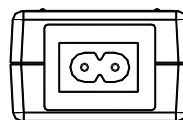
For reference only. For details please contact your local sales representative

Electrical

Topology	Switching Mode
Hi-Pot	3000 Vac/1sec @ 5mA (primary - secondary)
Leakage Current	0.25mA, at 240VAC/50Hz
Hold Up Time	8 mSec.
Standby Power	0.075 Watt
EMI	Complies with EMI directives
EU Requirement	Efficiency Level : Tier 2 - 2016
CEC Requirement	Efficiency Level : VI

Mechanical

Case Size	110L x 50W x 31H mm
Case Material	Black, 94V-1 or equivalent
Weight	210g ± 10 g
DC Cord	4.92ft





SA150G-XXV

50W Switching Adapter

Input

Rated Voltage	100 - 240 VAC
Max. Voltage	90 - 264 VAC
Line Frequency	47 - 63 Hz
Current	1500mA, at 100-240VAC
Configuration	IEC-320, C6, 3PIN

Output

Model Name	Voltage	Current	Watt	Eff. (Typ.)
SA150G-05V	5V	4A	20W	78%
SA150G-12V	12V	4A	48W	85%

Line Regulation	Less than $\pm 2\%$
Load Regulation	Less than $\pm 5\%$ (5V $\pm 7\%$)
Protections	OCP, OVP & Short circuit
Ripple Voltage	120mVp-p (For 5V model) 150mVp-p (For 12V model)

Environment

Operating Temp.	0 - 40
Storage Temp.	-20 - 80
Operating Humidity	20% - 80% (Non-condensing)
RoHS & WEEE	Standard

Reliability

MTBF	50,000 hrs (by MIL-217 Standard)
Safety	Meet IEC/EN 60950

Others

Package	60 pcs/box
Min. Order	1K pcs/lot
Warranty	1 year

For reference only. For details please contact your local sales representative

Electrical

Topology	Switching Mode
Hi-Pot	1800 Vac/1sec @ 5mA (primary - secondary)
Leakage Current	3.5mA, at 240VAC/50Hz
Hold Up Time	8 mSec.
Standby Power	0.075 Watt
EMI	Complies with EMI directives
EU Requirement	Efficiency Level : Tier 2 - 2016
CEC Requirement	Efficiency Level : VI

Mechanical

Case Size	110L x 50W x 31H mm
Case Material	Black, 94V-1 or equivalent
Weight	300g ± 10 g
DC Cord	4.92ft

