



SA105H-XX

5W Switching Adapter with Exchangeable AC Plug

Input

Rated Voltage	100 - 240 VAC
Max. Voltage	90 - 264 VAC
Line Frequency	47 - 63 Hz
Current	150mA at 100-240VAC
Configuration	2PIN

Output

Model Name	Voltage	Current	Watt	Efficiency
SA105H-05	5V	1A	5W	70%
Line Regulation	Less than $\pm 2\%$			
Load Regulation	Less than $\pm 5\%$			
Protections	OCP, OVP & Short circuit			
Ripple & Noise	$\leq 200\text{mVp-p}$			

Environment

Operating Temp.	0°C - 40°C
Storage Temp.	-30°C - 80°C
Humidity	10% - 90% (Non-condensing)
RoHS & WEEE	Standard

Reliability

MTBF	50,000 hrs (MIL-217 Standard)
Safety	ITE: Meet UL, cUL, TUV, CB, CE, CCC

Others

Package	TBD pcs/box
Min. Order	1K pcs/lot
Warranty	1 year

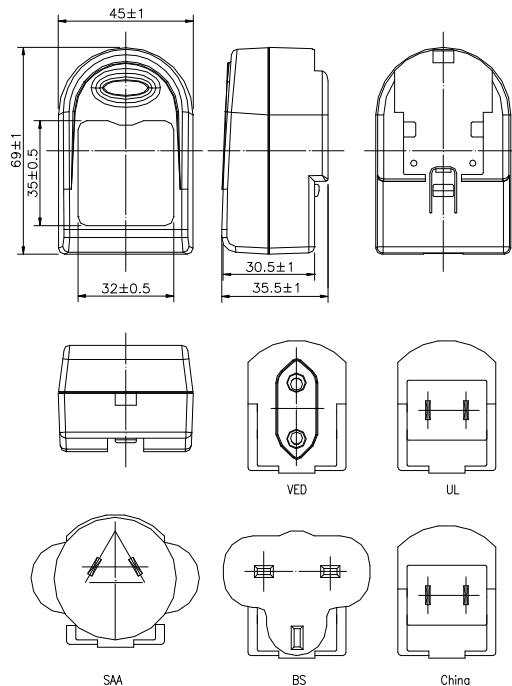
For reference only. For details please contact your local sales representative

Electrical

Topology	Switching Mode
Hi-Pot	3000 Vac/1sec @ 5mA (primary - secondary)
Leakage Current	$\leq 0.05\text{mA}$, at 240VAC/50Hz
Hold Up Time	≥ 8 mSec
Standby Power	≤ 0.3 Watt
Consumption	
EMI	Complies with EMI directives
CEC Requirement	Efficiency Level : IV
Energy Star Requirement	EPS 2.0 (Efficiency Level V)

Mechanical

Case Size	69L x 45W x 35.5H mm
Case Material	Black, 94V-1 or equivalent
Weight	75 \pm 10 g
Output Connect	USB 4PIN (Without Output Cord)





SA105K-05

5W USB CHARGER

Input

Rated Voltage	100 - 240 VAC
Max. Voltage	90 - 264 VAC
Line Frequency	47 - 63 Hz
Current	150mA, at 100-240VAC
Configuration	UL-2PIN

Output

Model Name	Voltage	Current	Watt	Efficiency
SA105K-05	5V	1.0A	5W	65%
Line Regulation	≤ ±2%			
Load Regulation	≤ ±5%			
Protections	OCP, OVP & Short circuit			
Ripple Voltage	≤ 150mVp-p			

Environment

Operating Temp.	0°C - 40°C
Storage Temp.	-20°C - 80°C
Operating Humidity	10% - 90% (Non-condensing)
RoHS & WEEE	Standard

Reliability

MTBF	50,000 hrs (by MIL-217 Standard)
Safety	ITE: UL, cUL

Others

Package	144 pcs/box
Min. Order	1K pcs/lot
Warranty	1 year

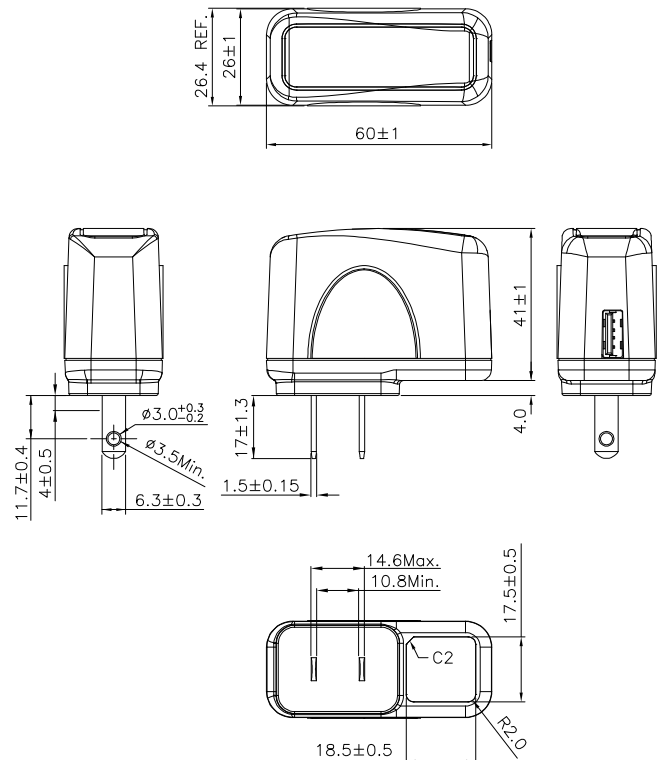
For reference only. For details please contact your local sales representative.

Electrical

Topology	Switching Mode
Hi-Pot	3000 Vac/1sec @ 5mA (primary - secondary)
Leakage Current	≤ 0.25mA, at 264VAC/60Hz
Hold Up Time	≥ 8 mSec.
Standby Power	≤ 0.3Watt
EMI	Complies with EMI directives
Energy Star Requirement	EPS 2.0 (Efficiency Level V)

Mechanical

Case Size	60L x 26W x 41H mm
Case Material	Black, 94V-1 or equivalent
Weight	45 ±5 g
Output Connect	Standard-A Plug (USB) (Without Output Cord)





SA105K-05G

5W USB CHARGER

Input

Rated Voltage	100 - 240 VAC
Max. Voltage	90 - 264 VAC
Line Frequency	47 - 63 Hz
Current	150mA, at 100-240VAC
Configuration	Europe-2PIN

Output

Model Name	Voltage	Current	Watt	Efficiency
SA105K-05G	5V	1.0A	5W	65%

Line Regulation	$\leq \pm 2\%$
Load Regulation	$\leq \pm 5\%$
Protections	OCP, OVP & Short circuit
Ripple Voltage	$\leq 150\text{mVp-p}$

Environment

Operating Temp.	0°C - 40°C
Storage Temp.	-20°C - 80°C
Operating Humidity	10% - 90% (Non-condensing)
RoHS & WEEE	Standard

Reliability

MTBF	50,000 hrs (by MIL-217 Standard)
Safety	ITE: MEET EN60950

Others

Package	TBD
Min. Order	1K pcs/lot
Warranty	1 year

For reference only. For details please contact your local sales representative.

Electrical

Topology	Switching Mode
Hi-Pot	3000 Vac/1sec @ 5mA (primary - secondary)
Leakage Current	$\leq 0.25\text{mA}$, at 264VAC/60Hz
Hold Up Time	≥ 8 mSec.
Standby Power	$\leq 0.3\text{Watt}$
EMI	Complies with EMI directives
EuP Requirement	Efficiency Level: Stage 2

Mechanical

Case Size	60L x 26W x 41H mm
Case Material	Black, 94V-1 or equivalent
Weight	50 \pm 5 g
DC Cord	Standard-A Plug (USB) (Without Output Cord)

